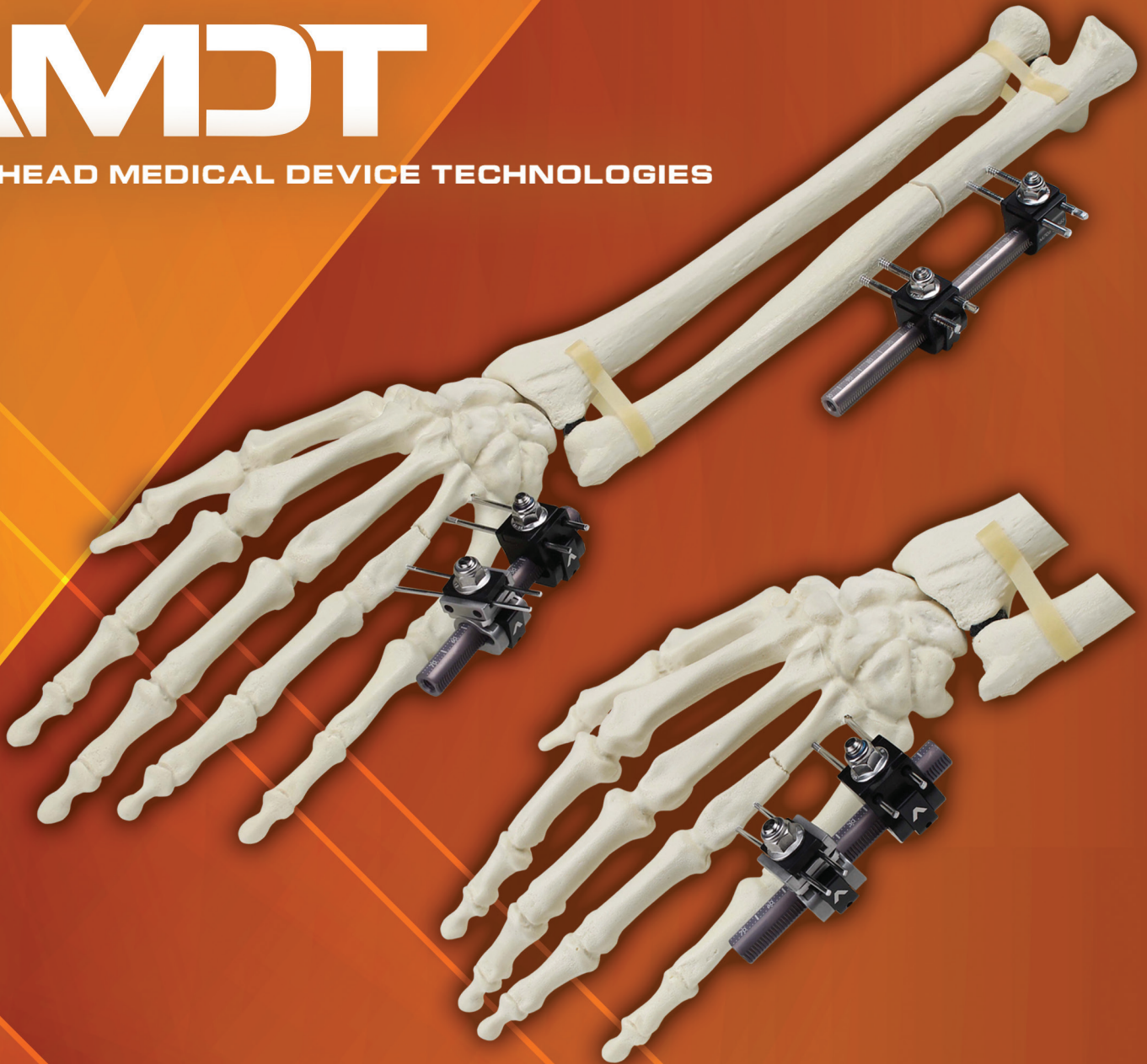


AMDT

ARROWHEAD MEDICAL DEVICE TECHNOLOGIES

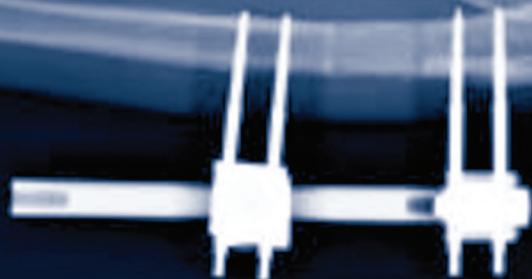
MINI-RAIL



Mini-Rail Fixator System

Versatility Of Function • Single System Adaptable For Diverse Anatomic Conditions

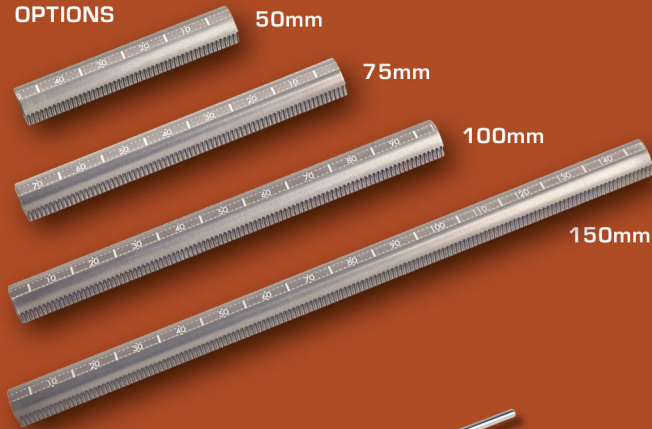
For More Information, Please Visit Amdtholdings.com



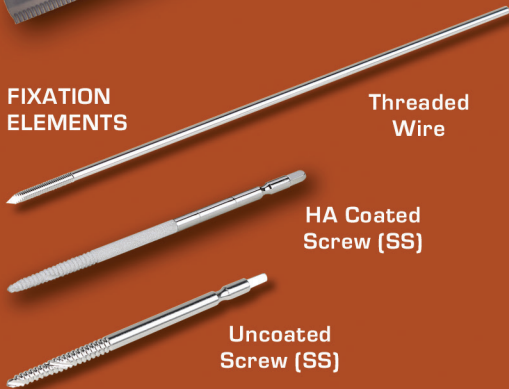
Mini-Rail Fixator System

The Mini-Rail Fixator is a unilateral external fixator that provides a stable solution for fractures, for lengthening of bones and for correcting deformities. The design provides advanced features to address complex cases yet also offers basic components for those cases that are less complicated or require a higher degree of affordability. The Mini-Rail is versatile yet always lightweight and low profile.

RAIL OPTIONS



FIXATION ELEMENTS



Threaded Wire

HA Coated Screw (SS)

Uncoated Screw (SS)

UNIT #	DESCRIPTION
M702	Traveling Clamp, Universal Clutched
M703	Traveling Clamp, Standard Clutched
M705	End Clamp, Universal
M706	End Clamp, Standard In-line
M707	End Clamp, Standard 90°
M708	Rail, 50mm
M709	Rail, 75mm
M710	Rail, 100mm
M715	Rail, 150mm
M732	Bone Screw $\phi 3.0$ mm X 60mm long, 20mm thread
M738	Bone Screw $\phi 3.0$ mm X 60mm long, 25mm thread
M745	Bone Screw $\phi 3.0$ mm X 80mm long, 25mm thread
M739	Bone Screw $\phi 3.0$ mm X 80mm long, 30mm thread
M734	Bone Screw $\phi 3.0$ mm X 100mm long, 20mm thread
M746	Bone Screw $\phi 3.0$ mm X 100mm long, 30mm thread
M747	Bone Screw $\phi 3.0$ mm X 100mm long, 40mm thread
ST025360HA	Bone Screw HA, $\phi 3.0$ mm X 60mm long, 20mm thread
ST025380HA	Bone Screw HA, $\phi 3.0$ mm X 80mm long, 20mm thread
M743	Threaded Wire, $\phi 1.6$ mm, 15mm thread, 125mm long
M744	Threaded Wire, $\phi 2.0$ mm, 15mm thread, 125mm long



UNIVERSAL TRAVELING CLAMP



UNIVERSAL END CLAMP

◀ Universal Clamps offer 3 degrees of freedom and accept wires or screws with diameters from 1.0mm to 3.0mm. Standard clamps accept 3.0mm screws only.



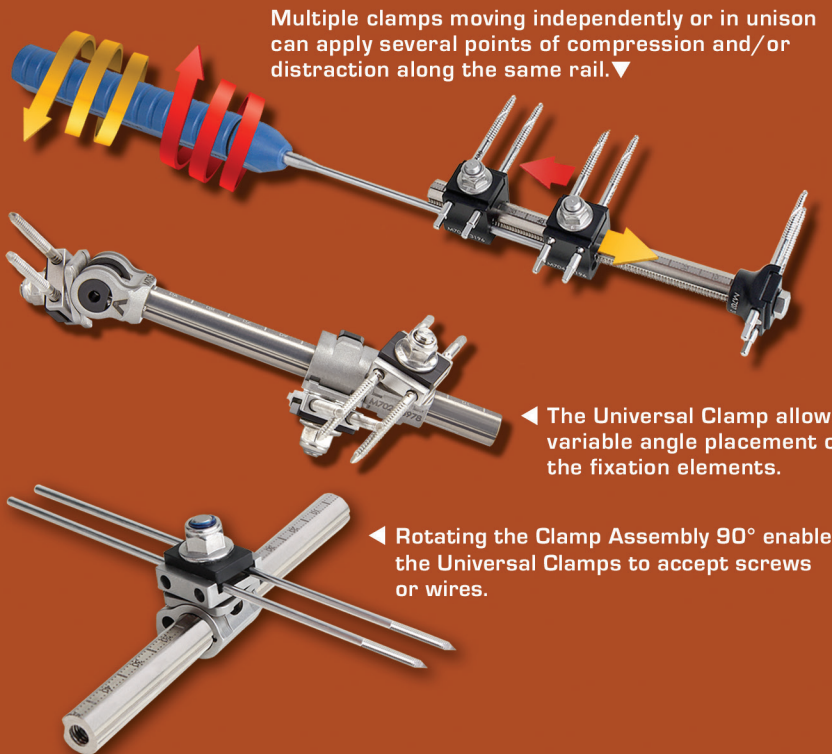
STANDARD TRAVELING CLAMP



STANDARD END CLAMP, IN-LINE



STANDARD END CLAMP, 90°



Multiple clamps moving independently or in unison can apply several points of compression and/or distraction along the same rail. ▼

◀ The Universal Clamp allows variable angle placement of the fixation elements.

◀ Rotating the Clamp Assembly 90° enables the Universal Clamps to accept screws or wires.